



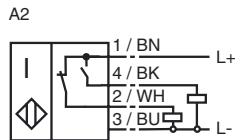
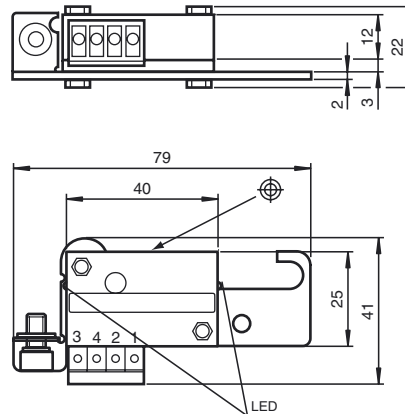
CE

Model Number

FT3 K 2045/33 K

Features

- Comfort series
- 3 mm embeddable

Connection**Dimensions****Technical Data****General specifications**

Switching element function	PNP	NO/NC
Rated operating distance	s_n	3 mm
Installation		embeddable
Output polarity		DC

Nominal ratings

Operating voltage	U_B	10 ... 30 V
Switching frequency	f	0 ... 600 Hz
Hysteresis	H	3 ... 15 typ. 5 %
Reverse polarity protected		reverse polarity protected
Short-circuit protection		pulsing
Operating current	I_L	0 ... 400 mA
No-load supply current	I_0	15 mA
Indication of the switching state		LED, yellow

Ambient conditions

Ambient temperature	-25 ... 70 °C (-13 ... 158 °F)
---------------------	--------------------------------

Mechanical specifications

Connection type	Cage tension spring terminals
Core cross-section	$\leq 1.5 \text{ mm}^2$
Housing material	plastic
Sensing face	plastic
Protection degree	IP67

Compliance with standards and directives

Standard conformity	
Standards	EN 60947-5-2:2007 IEC 60947-5-2:2007

Approvals and certificates

CCC approval	Products with a maximum operating voltage of $\leq 36 \text{ V}$ do not bear a CCC marking because they do not require approval.
--------------	--